

CFORCE 1000

OVERLAND
FEATURES



CF1000AU
CF1000ATR
CF1000AU-F

OWNER'S MANUAL

READ THIS MANUAL CAREFULLY

It contains important safety information

This ROV should not be ridden by anyone under 16
years of age. Passenger under 12 are prohibited.

TABLE OF CONTENTS

Foreword	3
Welcome	3
CFORCE 1000 Overland ATV Description	4
Winch Armor.....	6
Bumper Assy	7
Rear Cargo Box	8
Center Cargo Box	9
CF Connect Clamps.....	11
Front LED Lights	12
Tire & Beadlock Removal / Installation.....	13
HDPE Skid Plate Protection.....	17
CFMOTO ACCESSORY WARRANTY	18

Foreword

Welcome

Thank you for purchasing a CFMOTO vehicle, and welcome to our world-wide family of CFMOTO enthusiasts. Be sure to visit us online at www.cfmoto.com for the latest news, new product introductions, upcoming events, and more.

This manual outlines the features and equipment included with purchase of a CFORCE Overland Edition ATV. For safe and enjoyable operation of your vehicle, be sure to read and understand the instructions and recommendations in this manual.

This manual contains instructions for operation and care of the equipment specific to the CFORCE Overland ATV. Be sure to return to your dealership for all of your service needs during, and after, the warranty period. Your CFMOTO dealer knows your vehicle best and is interested in your total satisfaction.

Due to constant improvements in the design and quality of production components, some minor discrepancies may result between the actual vehicle and the information presented in this manual. Depictions and/or procedures in this publication are intended for reference use only.

For warranty information about the features outlined in this manual, please refer to the vehicle owner's manual.

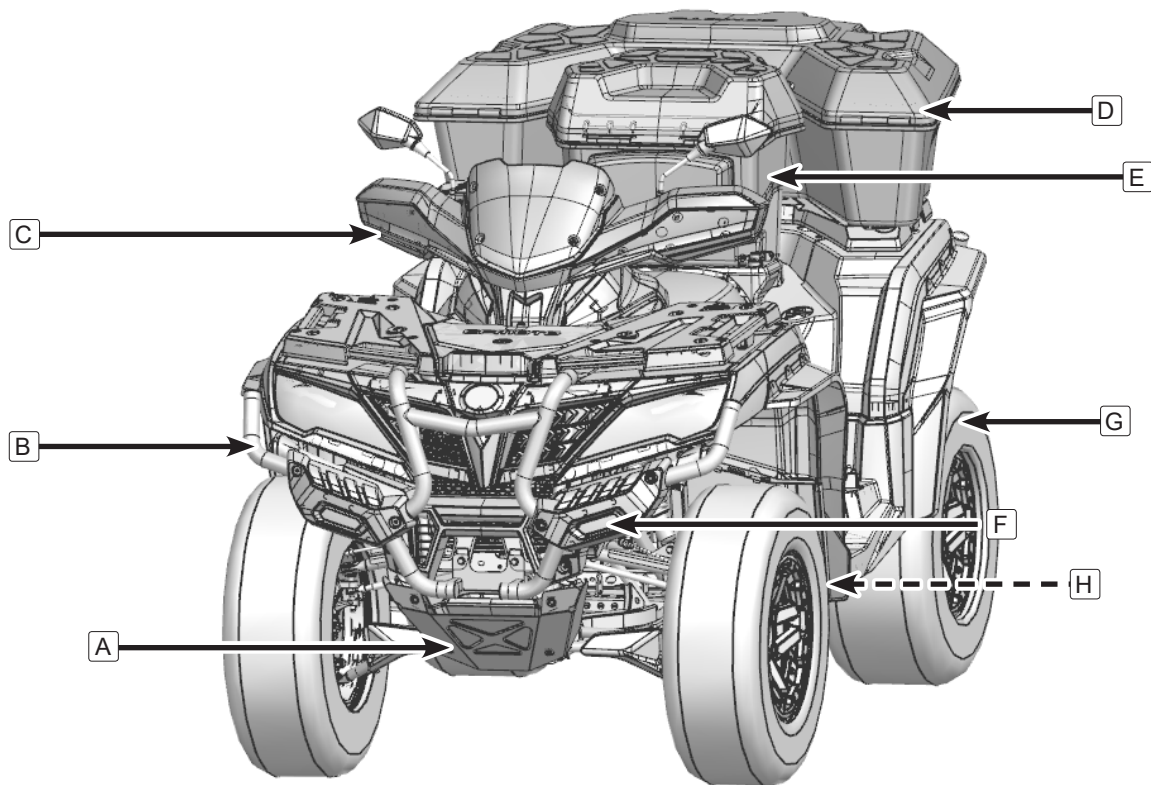
CFORCE 1000 OVERLAND FEATURES

CFORCE 1000 Overland ATV Description

CFORCE 1000 Overland ATVs are outfitted with the following features as standard equipment:

- A** - Front Bash Plate
- B** - Bumper Assy
- C** - Windshield / Handguard Assembly
- D** - 105 Liter Rear Cargo Box
- E** - 41 Liter Center Cargo Box
- F** - LED Front Flood Lamps
- G** - CST Clincher Off-road Tire & Beadlock Rims
- H** - HDPE Skid Plate Protection

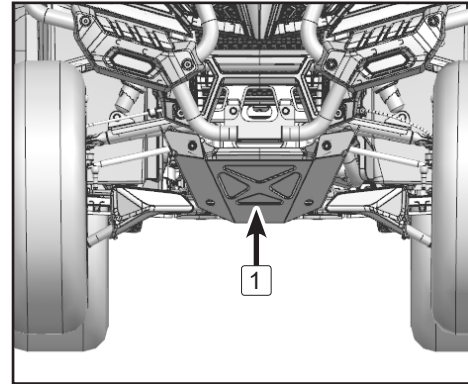
CFORCE 1000 OVERLAND FEATURES



CFORCE 1000 OVERLAND FEATURES

Front Bash Plate

High strength aluminum front bash plate offers impact protection for vehicle.



CFORCE 1000 OVERLAND FEATURES

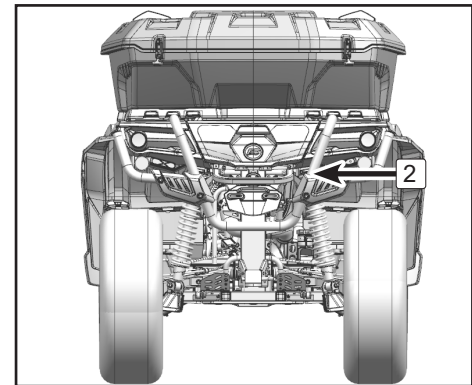
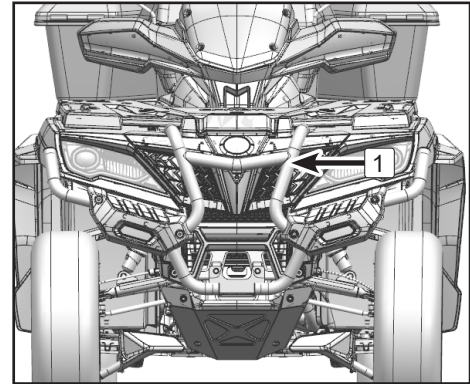
Bumper Assy

Front and rear bumper to protect the vehicle body.

NOTE:

This feature is only applicable to models from 2021 models and newer models.

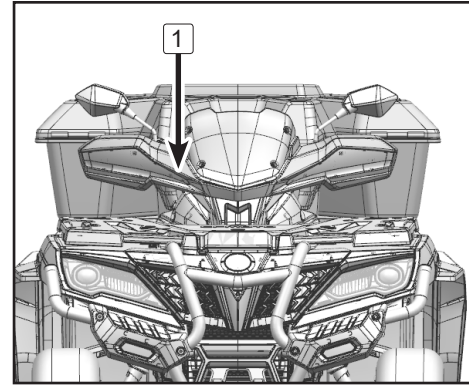
Models built prior to 2021 will require a new front rack support.



CFORCE 1000 OVERLAND FEATURES

Windshield & Handguard

Windshield and hand protector are designed to be one integrated component assy, easy for fast removing and assembling.



CFORCE 1000 OVERLAND FEATURES

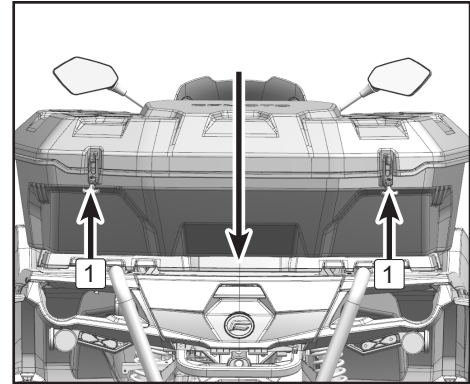
Rear Cargo Box

The rear cargo box can be easily installed and removed by CF connect clamps. Cargo box capacity is 105 Liters.

Assembly:

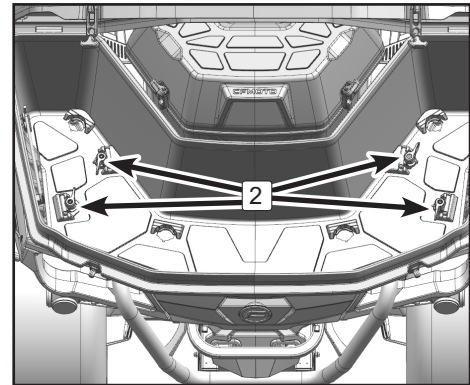
Place the rear cargo box on the rear rack cover.

Pull the rubber buckles **1** and open the cargo box.



Mount CF connect clamps **2** inside the cargo box as shown.

Turn CF connect clamps **2** to an open state, insert in place then lock them.



CFORCE 1000 OVERLAND FEATURES

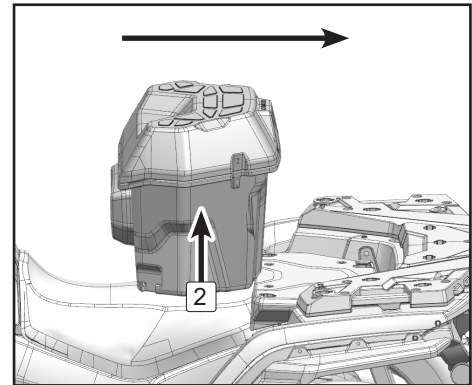
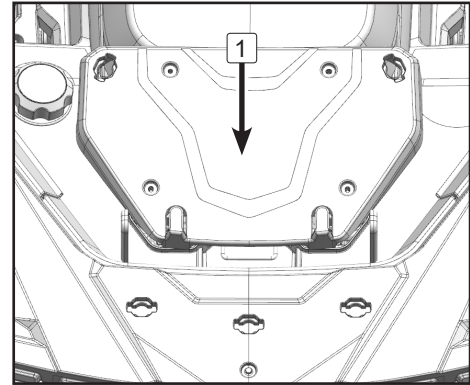
Center Cargo Box

Center cargo box can be easily installed and removed by CF connect clamps. Cargo box capacity is 41 Liters.

Assembly:

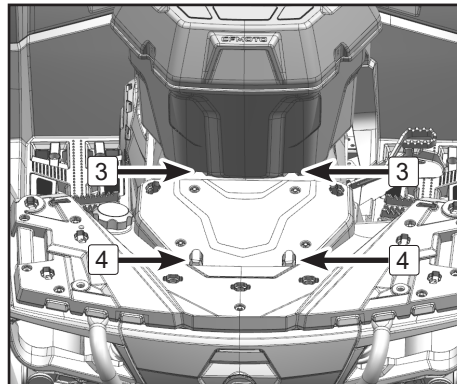
Mount the bottom plate **1**.

Mount the center cargo box **2** in the direction as shown.



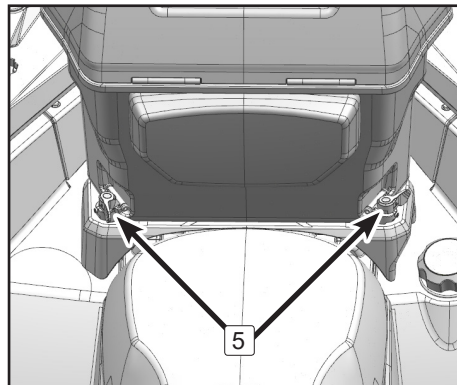
CFORCE 1000 OVERLAND FEATURES

Align the rabbet joints **3** into the slots **4**.



Mount CF connect clamps **5** as shown.

Turn CF connect clamps **5** to an open state, insert in place, then lock them.



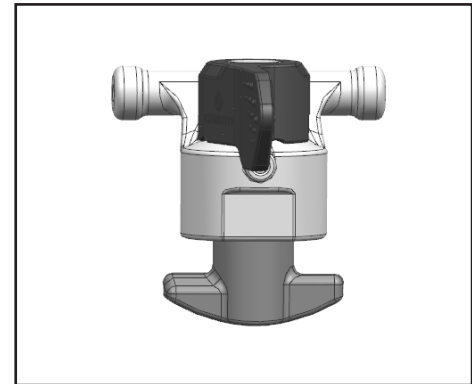
CFORCE 1000 OVERLAND FEATURES

CF Connect Clamps

Lock state for CF connect clamps.





Open state for CF connect clamps.



CFORCE 1000 OVERLAND FEATURES

Front LED Flood Lamps

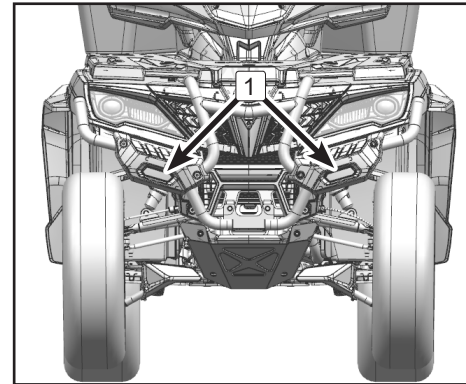
Front Led flood lamps switch is located on the left handbar bracket. LED lights are located on the front bumper.

	When switch is on this position, LED lamps turn on.
	When switch is on this position, LED lamps turn off.

NOTE:

This feature is only applicable to 2021 models and newer models. Main cables on ATVs built prior to 2021 are not compatible.

LED flood lamps- 1



CFORCE 1000 OVERLAND FEATURES

CST Clincher Off-road Tire & Beadlock

Specification: 27x9.00-R14 6.5 psi (45KPa)

27x11.00-R14 6.5 psi (45KPa)

⚠ CAUTION

Tire pressure is important for vehicle handling and stability. Insufficient tire pressure may lead to tire deflating and rotating on the rim. Excess pressure may lead to tire burst. Always follow the recommended tire pressure. Never set tire pressure below minimum. It could cause the tire to dislodge from the rim.

⚠ CAUTION

Test tire pressures during cold tire condition. Tire pressure is affected by the variance of temperature and altitude. Test tire pressures whenever any of these conditions have changed.

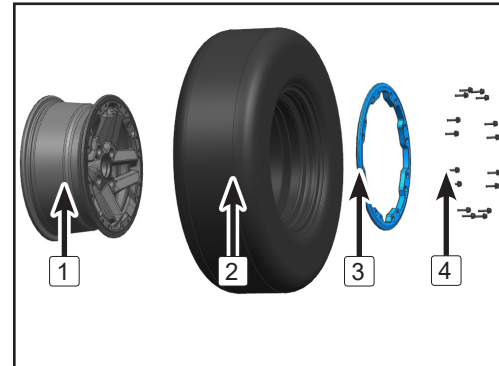
Tire Assembly:

- 1 - Rim
- 2 - Tire
- 3 - Beadlock ring
- 4 - Beadlock ring bolts - M6×25

Tire Removal

Support the suspension under the tire to be removed. Deflate the tire. Remove the beadlock ring bolts, beadlock ring and tire.

NOTE: Wheel removal is not required.



CFORCE 1000 OVERLAND FEATURES

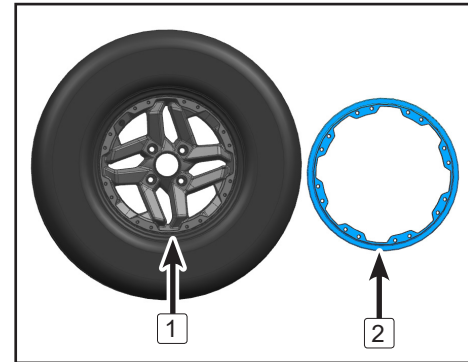
Tire Installation

Apply a thin layer of lubricant onto the inner beads of the tire and wheel opposite of the beadlock inner ring.

Seat the tire outer bead in the shoulder of beadlock inner ring. Ensure the beadlock inner ring is positioned in the center of tire.

Align tire light point (the yellow point on tire) with the inflating valve.

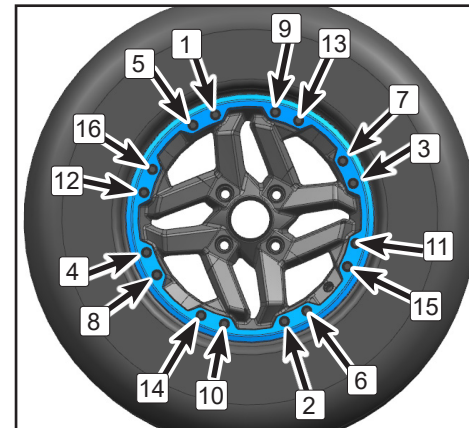
- 1 - Tire outer bead
- 2 - Beadlock inner ring shoulder



Beadlock Clamp Ring Installation

Install all the beadlock ring bolts in a criss-cross sequence, To avoid mis-threading, follow the number sequence as shown and screw by hand.

To ensure even pressure on the beadlock clamp ring, pretighten bolts a few turns at a time.



NOTE:

Apply a small amount of thread locker on the bolt threads.
--

Beadlock ring bolts (first torque): 26 in-lb (3N·m ± 1N·m)

CFORCE 1000 OVERLAND FEATURES

Check to ensure the tire is in the center of wheel. Reposition it as necessary.

Tighten the bolts according to the second torque, following the same sequence.

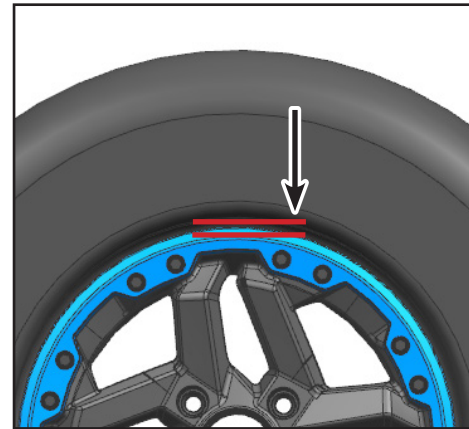
Beadlock ring bolts (Second torque): 70 in-lb (8N·m \pm 1N·m)

The beadlock clamp ring should be in contact with the beadlock inner ring. The beadlock clamp ring can flex slightly to match the tire bead.

Verify the gap between tire and beadlock clamp ring, it should be equal all around the ring.

If the gap is not acceptable:

- Loosen all the bolts.
- Check the tire position on wheel, reposition it if necessary.
- Restart the pretightening following the indicated sequence.
- Finally torque the beadlock ring bolts to the first and second torque values following the indicated sequence.



CFORCE 1000 OVERLAND FEATURES

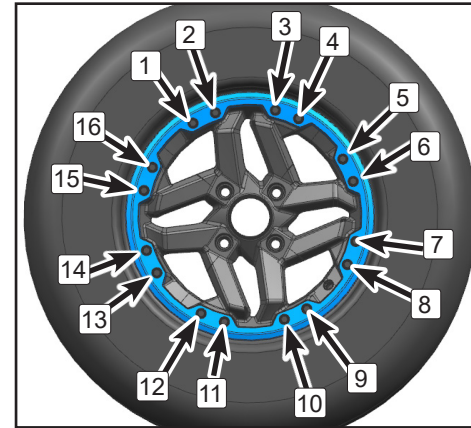
Beadlock ring bolts (Final torque): 106 in-lb (12N·m ± 1N·m)

Tighten the beadlock ring bolts in a clockwise direction as shown.

Make sure the tire remained centered in place before inflating with air.

Inflate the tire to seat the inner beads on the wheel.

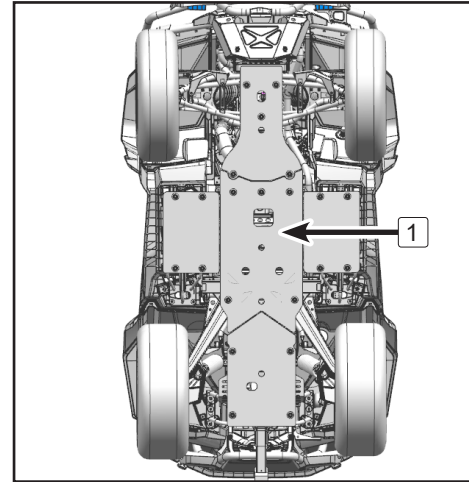
<p>⚠ CAUTION</p>
<p>Do not exceed the recommended maximum tire pressure when seating beads.</p>



CFORCE 1000 OVERLAND FEATURES

HDPE Skid Plate Protection

A full HDPE skid plate system is installed to protect the bottom of the ATV from rocks, sticks, and other objects.





ZHEJIANG CFMOTO POWER CO., LTD.

No.116,Wuzhou Road,Yuhang Economic Development
Zone, Hangzhou 311100,Zhejiang Province,China

Tel: 86-571-86258863

Fax: +86-571-89265788

E-mail: service@cfmoto.com.cn

<http://global.cfmoto.com>